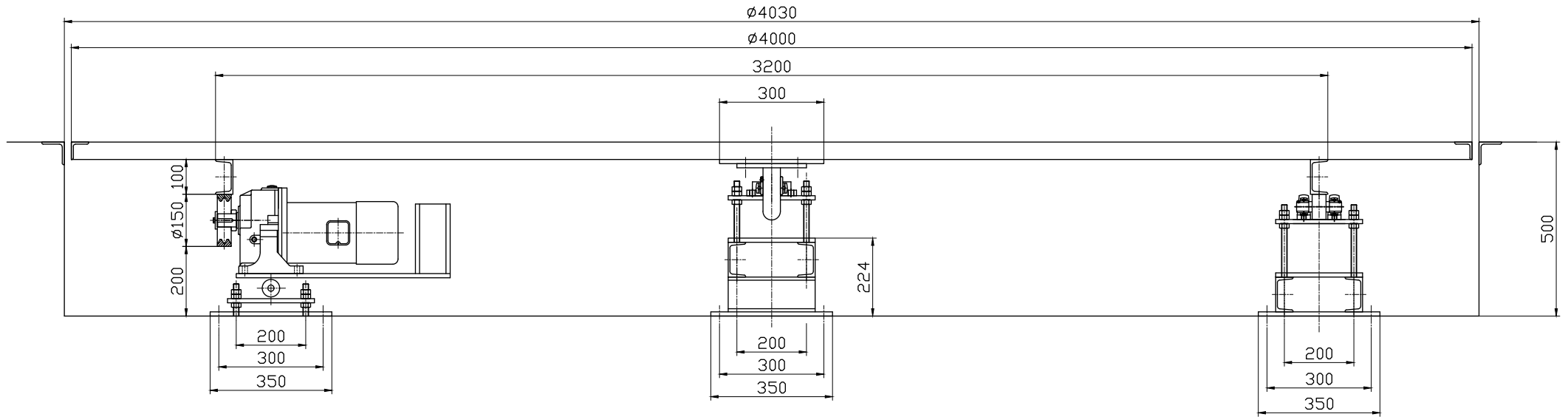


NO	DESCRIPTION	MAT'L	Q'TY	SIZE	REMARKS
----	-------------	-------	------	------	---------



SPECIFICATION	
TABLE	ø4000
SPEED	1.5 RPM
MOTOR	0.75KWx1/60
DRIVE WHEEL	ø 150
POWER	

NO	DESCRIPTION	MAT'L	Q'TY	SIZE	REMARKS
PROJECT				DATE	
TITLE	TURN TABLE			DRAWING	
코리아 주차설비(주)				SCALE	1/6
TEL 032)562-3034 FAX 032)562-3035				DWG NO	TT-01